



# TOUCH SCREEN KIOSK

➤ **All in One Touch Kiosk**

Combining edge-to-edge glass PCAP / Infrared technology with a stylish and secure kiosk. The ergonomic design, along with the built-in PC and facility to seamlessly use a third-party PC, sets this solution apart from other touchscreen kiosks.

➤ **Windows / Android OS**

Android / Windows operating systems are installed on the integrated PC for ultimate flexibility. These displays provide a fully integrated solution whether your application calls for Android or Windows.

➤ **10 Point Touch**

Having up to 10 touch points allows you to manipulate images, zoom in and out as well as perform many other touch gestures; much like you would with a domestic tablet. It also allows for multiple users to interact with the screen at one time.



**VARIOUS SCREEN SIZES**

32 inch, 43 inch, 49 inch, 55 inch

**SOFTWARE SUPPORTED**

APP Installer, File Manager, Video player, picture player, Browser, etc.

**LONG-TIME DISPLAY LOOP PLAY**

Uninterrupted cycle play, lifetime up to 30 thousand hours

**10 POINTS TOUCH SCREEN**

Sensitive multiple touch, support multiple gesture

**NETWORK**

Built-in WIFI module, Good experience on High-Speed Internet

**ANDROID**

Supports the Android application download and very convenient.

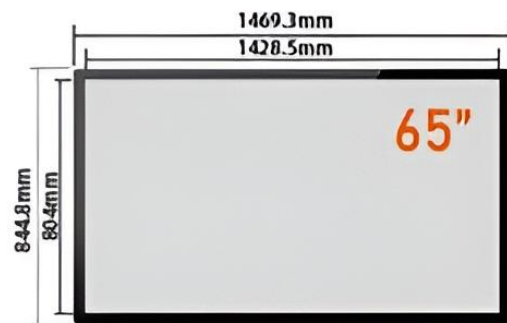
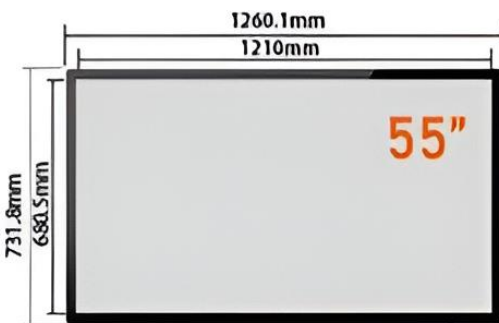
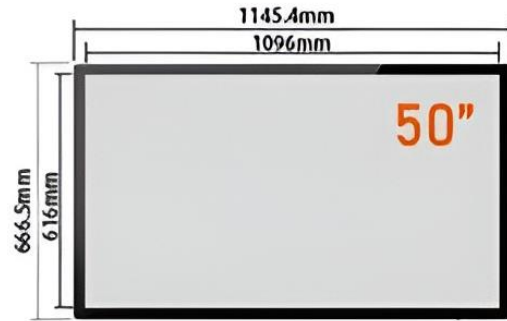
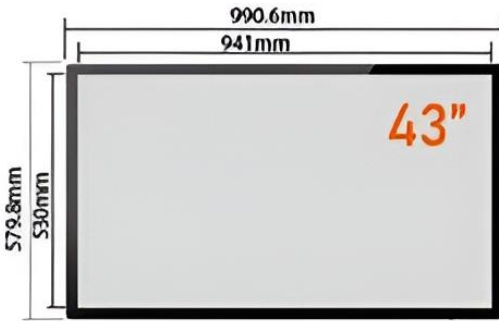
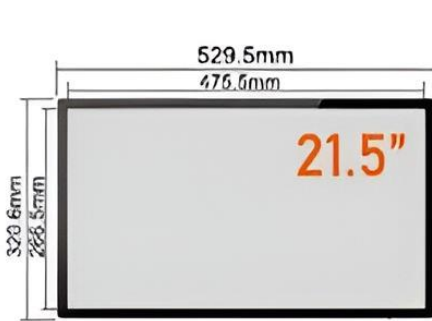
**WINDOWS**

Windows 7/8/10 all are optional  
Rest assured use



PANEL PARAMETER	Model No.	TW32Q-W	TW43Q-W	TW49Q-W	TW55Q-W
	Screen size	32 inch	43 inch	49 inch	55 inch
	Panel Technology	LED-backlit	LED-backlit	LED-backlit	IPS
	Aspect ratio	16:9	16:9	16:9	16:9
	Resolution	1920x1080	1920x1080	1920x1080	3840x2160
	Brightness	330nits	350nits	450nits	450nits
	Contract ratio	1200:1	1200:1	1200:1	3000:1
	Visual angle	178°/178°	178°/178°	178°/178°	178°/178°
	Display color	16.7M	16.7M	16.7M	16.7M
	Touch type	10 Points infrared Touch/PCAP Touch			
	Speaker output	2*5W			
ANDROID SYSTEM (DEFAULT)	CPU	Quad-core 64-bit Cortex-A55 processor, 22nm advanced process, up to 1.8GHz			
	GPU	ARM Mali G52 2EE graphics processor			
	RAM	2GB LPDDR4			
	ROM	32GB NAND Flash			
	Wi-fi	802.11 b/g/n			
	Operating system	Android 7.1/ 9.0/11/13			
	LAN	10/100M Ethernet RJ45			
	USB	USB 2.0 x 2			
	RJ45	Ethernet(LAN) x 1			
	SD	SD(TF) x 1			
	Audio	Audio Socket (3.5mm)			
	Media Formats	Video (MPG, AVI, MP4, RM, RMVB, TS), Audio (MP3, WMA), Image (JPG, GIF, BMP, PNG)			
	Software supported	APP Installer, File Manager, Video player, picture player, Browser, etc.			

WINDOWS SYSTEM (OPTION)	CPU	Intel Core i3/ i5/ i7
	Graphic	Integrated HD graphic card
	RAM	8GB
	ROM	256GB SSD
	Operating system	Windows 11
	Wi-fi	802.11 b/g/n, USB dongle, external USB WIFI dongle
	LAN	10/100/1000M Realtek Ethernet RJ45
	USB	USB 2.0 x 4
	RJ45	Ethernet(LAN) x 1
	VGA	VGA Output, HDMI
	Audio	Audio Socket (3.5mm) Output
	Media Formats	Video (MPG, AVI, MP4, RM, RMVB, TS), Audio (MP3, WMA), Image (JPG, GIF, BMP, PNG), etc.
	Software supported	APP Installer, Intel Vpro, CMD controller, etc.





**TWT APPLIED TECHNOLOGY AND SERVICES PTE LTD**

TWT reserves the right to change products' dimensions and specifications without notice.

TWT APPLIED TECHNOLOGY AND SERVICES PTE LTD reserves the ultimate right to the interpretation of this catalogue.

**ADDRESS:** 71 BUKIT BATOK CRESCENT  
#09-04 PRESTIGE CENTRE SINGAPORE  
658071

**EMAIL:** [info@twt-technology.sg](mailto:info@twt-technology.sg)